

SLANT BOARD SET UP INSTRUCTIONS

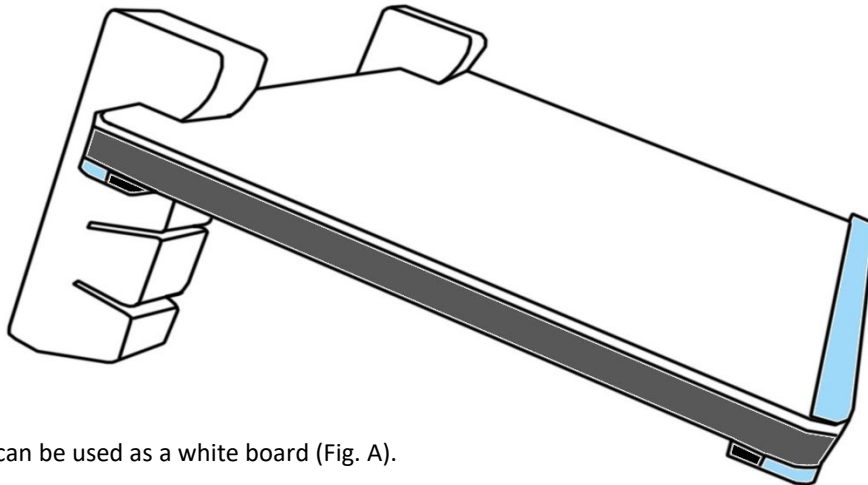
Needed Parts:

- 1 Tiltboard kit (which includes the lid and a red whiteboard marker)
- 1 set of Tiltfeet

*Important note: if you wish to use the slantboard as a white board you might want to remove the white board marker, before setting up the slantboard.

Instructions:

1. Turn the kit over so that the whiteboard backing is facing towards you.
2. Place the tilt feet on the long edge of the kit, opposite of the blue bookrest. Position the tiltfeet such that the slantboard is stable. (*Please note: the fit will be tight the first time placing the tiltfeet on the kit)



Activities:

The slantboard can be used as a white board (Fig. A).

If you want to use a chart it can be placed on the slantboard resting on the blue bookrest. If you wish to utilize a whiteboard marker without marking directly on the chart place the kit lid on top of the chart. To do so, first place the lid against the tiltfeet and then lower the opposite edge just above the bookrest (Fig. B).



Fig. A

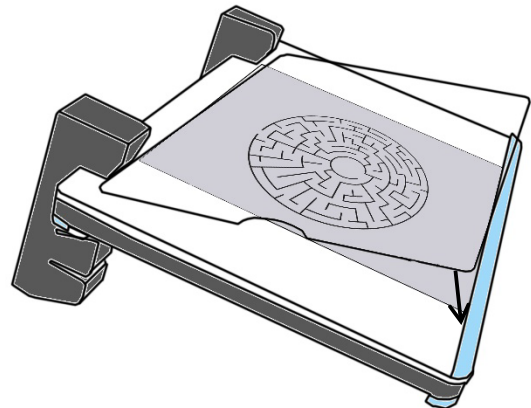


Fig. B